

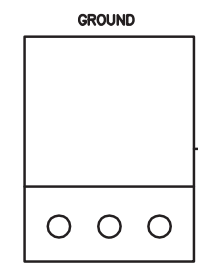
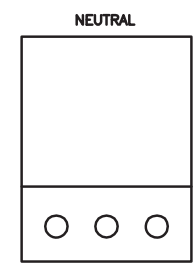
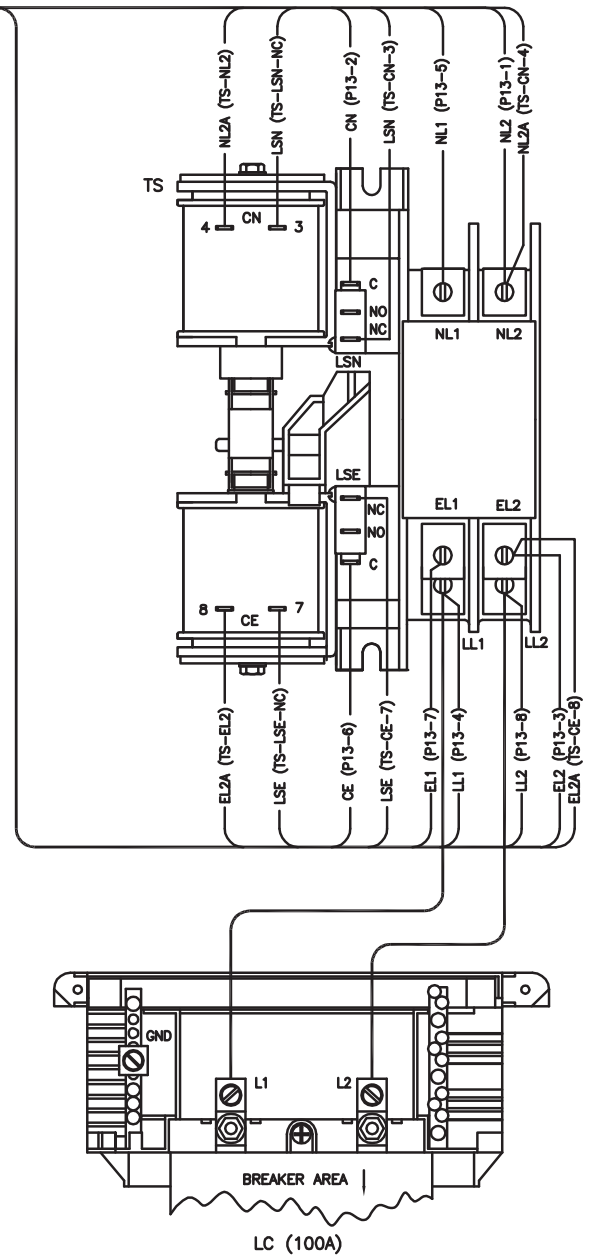
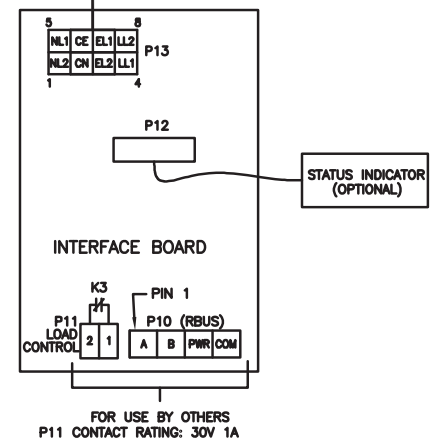
| REV | DATE | REVISION | BY | APP |
|-----|---------|-----------------------|-----|-----|
| - | 2-28-11 | NEW DRAWING [90714-3] | CRS | |
| | | | | |
| | | | | |
| | | | | |

LEGEND

CE - TRANSFER COIL (EMERGENCY)
 CN - TRANSFER COIL (NORMAL)
 LC - LOAD CENTER
 LSN - POSITION SENSE SWITCH (NORMAL)
 LSE - POSITION SENSE SWITCH (EMERGENCY)
 P(#)- CONNECTOR
 TS - TRANSFER SWITCH/CONTACTOR

P13 CONNECTIONS

PIN #1 NL2 (TS-NL2)
 2 CN (TS-LSN-C)
 3 EL2 (TS-EL2)
 4 LL1 (TS-LL1)
 5 NL1 (TS-NL1)
 6 CE (TS-LSE-C)
 7 EL1 (TS-EL1)
 8 LL2 (TS-LL2)



MODEL RXT
 STANDARD TRANSITION
 100A ATS W/LOAD CENTER
 FOR SCHEMATIC SEE GM80676

| | | | |
|---|--|---|---|
| <small> VERIFY ALL CONNECTIONS AND WIRING 3) WIRE BUNDLES AND WIRE JUNCTIONS 2) ± .005 1) ± .005 1) ± .005 FRACTIONS ± </small> | | KOHLER CO. <small> POWER SYSTEMS, SYDNEY, NY 13154 U.S.A. THIS DRAWING IS DESIGN AND BEING A KOHLER CO. PROPERTY AND MUST NOT BE REPRODUCED OR COPIED WITHOUT KOHLER CO. WRITING. ALL RIGHTS OF DESIGN OR INVENTION ARE RESERVED. </small> | |
| DIAGRAM, WIRING | | <small> SHEET 1-1 OF 1 </small> | |
| <small> APPROVALS DESIGNED: CRS CHECKED: MTL APPROVED: MTL </small> | <small> DATE 6-15-11 6-15-11 6-15-11 </small> | <small> SCALE 1:1 PLOTTED 6-15-11 </small> | <small> Dwg. No. GM80675 </small> |